



Installing the Cisco Catalyst 9800-L Wireless Controller

This chapter describes how to install the Cisco Catalyst 9800-L Wireless Controller.



Warning

IMPORTANT SAFETY INSTRUCTIONS

This warning symbol means danger. You are in a situation that could cause bodily injury. Before you work on any equipment, be aware of the hazards involved with electrical circuitry and be familiar with standard practices for preventing accidents. Use the statement number provided at the end of each warning to locate its translation in the translated safety warnings that accompanied this device. **Statement 1071**

SAVE THESE INSTRUCTIONS

- [Mounting the Controller, on page 1](#)
- [Connecting the Controller Console Port, on page 12](#)
- [Management Ethernet Port Cable Connection, on page 12](#)
- [Installing a Security Lock, on page 13](#)

Mounting the Controller

This section describes the various mounting options for the controller:

Mounting the Controller on Desktop or Shelf

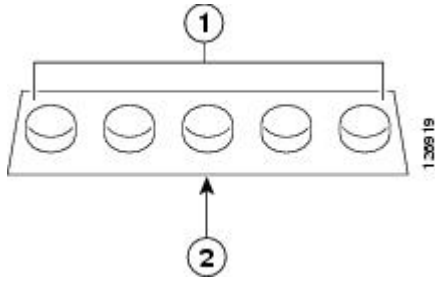
Before mounting the controller on a desktop or shelf, install the rubber feet located in accessory kit shipped with the controller.

To install the rubber feet to the controller, follow these steps:

Procedure

- Step 1** Locate the rubber feet on the black adhesive strip that is shipped with the controller.

Figure 1: Identifying the Rubber Feet

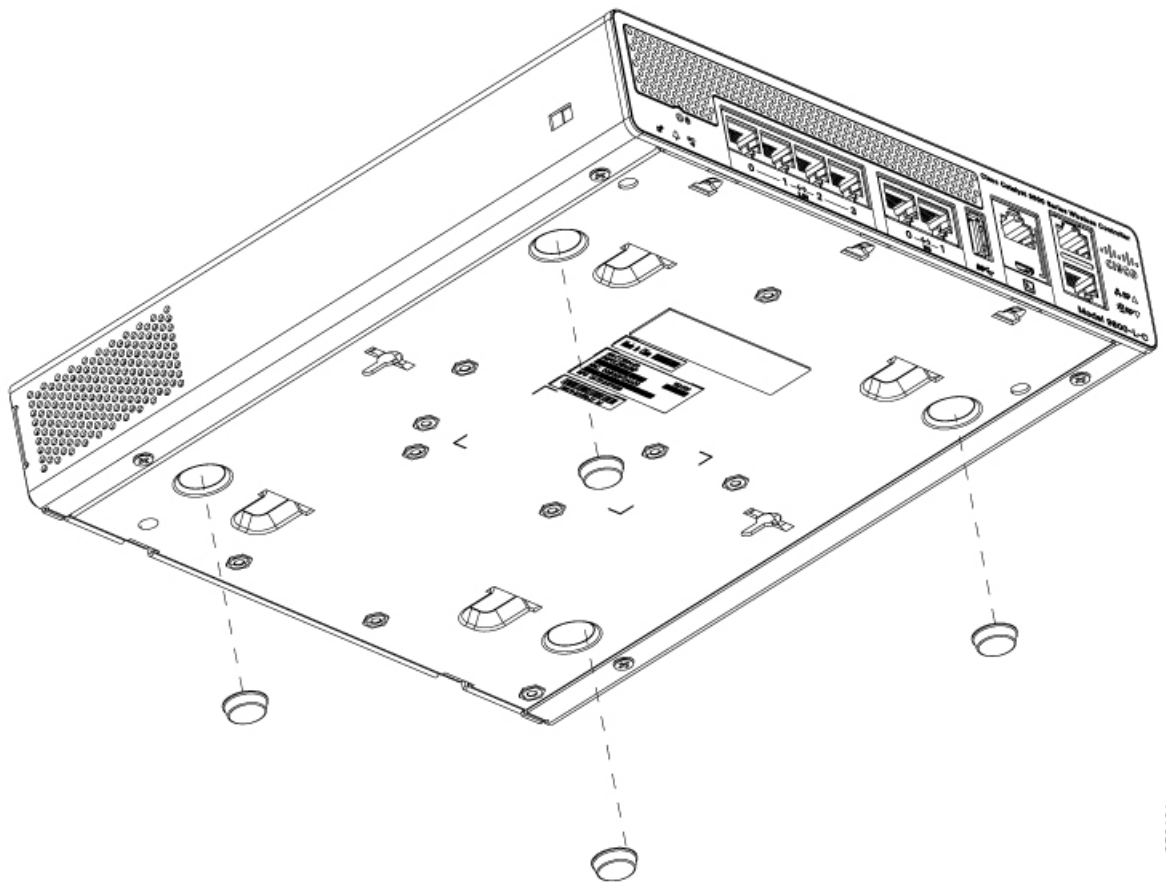


1	Rubber feet	2	Black adhesive strip
---	-------------	---	----------------------

Step 2 Place the controller upside down, on a smooth, flat surface.

Step 3 Peel off the rubber feet from the black adhesive strip and press them adhesive-side down onto the bottom four corners of the controller, see the figure below:

Figure 2: Attaching the Rubber Feet



Step 4 Place the controller right-side up on a flat, smooth, secure surface.

Step 5 Connect the interface cables.

Mounting the Controller on a Wall (Mounting Screws)



Note Do not wall-mount the device with its front panel facing up. Following safety regulations, wall-mount the device with its front panel facing down or to the side to prevent airflow restriction and to provide easier access to the cables.



Warning Read the wall-mounting carefully before beginning installation. Failure to use the correct hardware or to follow the correct procedures could result in a hazardous situation to people and damage to the system.
Statement 378.

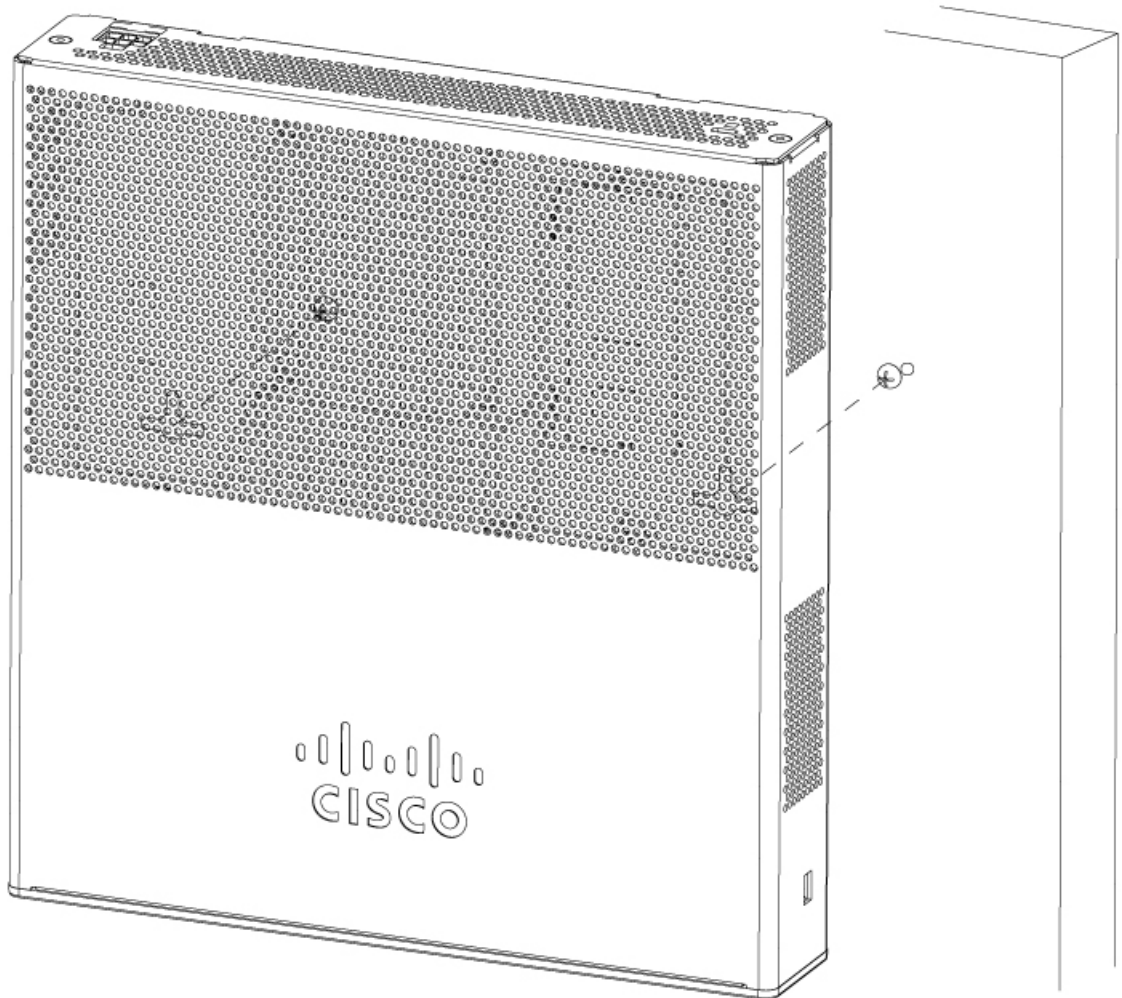
To mount the controller on a wall using mounting screws, follow these steps:

Procedure

- Step 1** Mark the location of the mounting screws on the wall. Use the mount hole locations on the back of the controller for placement of the mounting screws.
- Step 2** Use a 0.107-inch (2.7mm) or #32 drill bit to drill a 3/4 inch (19mm) hole for the two mounting screws.
- Step 3** Insert two screws into the screw holes and tighten until the top of the screws are 1/8 inch from the wall (leaving enough room for the back panel to slide onto the screws firmly).
- Step 4** Place the controller onto the mounting screws and slide it down until it lock into place, as shown in figure below:

Note The front panel of the controller should be facing down.

Figure 3: Place the Controller on the Mounting Screws



Step 5 After the controller is mounted on the wall, perform the following tasks to complete the installation

- Connecting the Controller Console Port
- Securing the Power Adapter Cable
- Connecting to the Network

Step 6 For configuration instructions about using the CLI setup program, see the (Link to Running the Bootup script section).

Rack Mounting the Controller



Warning To prevent bodily injury when mounting or servicing this unit in a rack, you must take special precautions to ensure that the system remains stable. The following guidelines are provided to ensure your safety:

- This unit should be mounted at the bottom of the rack if it is the only unit in the rack.
- When mounting this unit in a partially filled rack, load the rack from the bottom to the top with the heaviest component at the bottom of the rack.
- If the rack is provided with stabilizing devices, install the stabilizers before mounting or servicing the unit in the rack.

Statement 1006



Warning Take care when connecting units to the supply circuit so that wiring is not overloaded. **Statement 1018.**

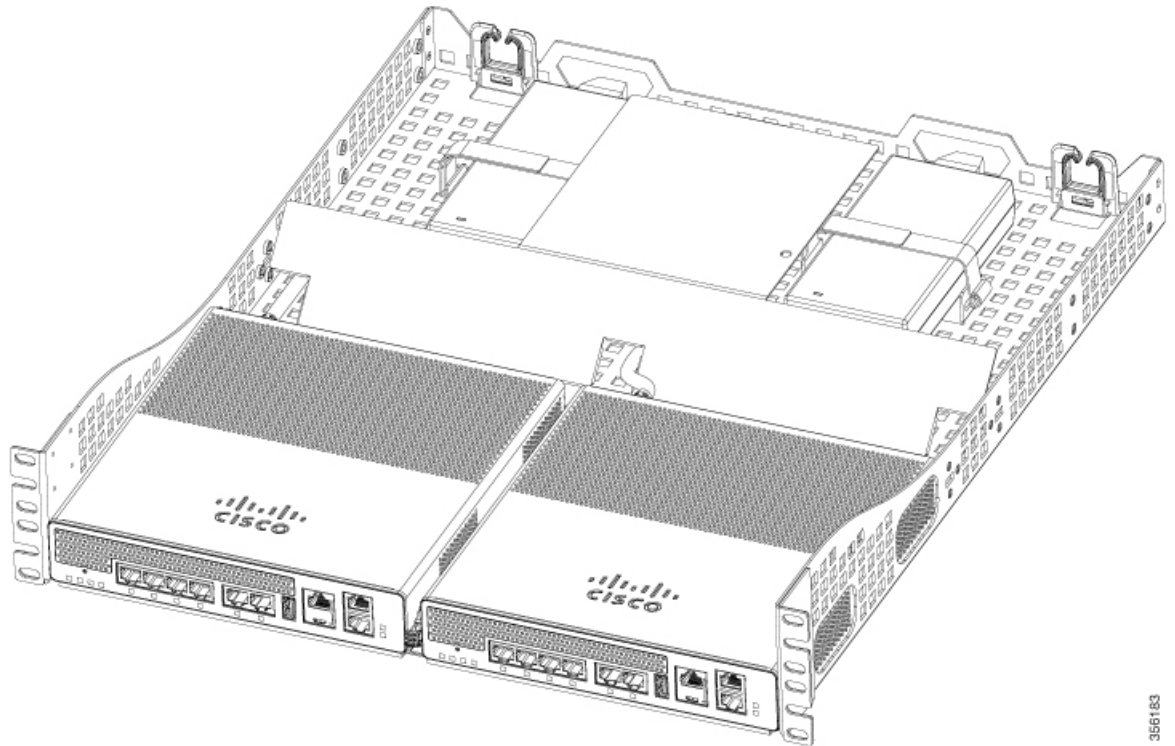
To mount the controller in a 19-inch equipment rack, you can order an optional Optional Rack Mount kit (C9800-RMNT= Cisco Catalyst 9800-L Wireless Controller Rack Mount Tray).

The rack-mount tray is designed for 19 racks and uses two rack-units spaces. To rack-mount the controller, perform the following steps:

Procedure

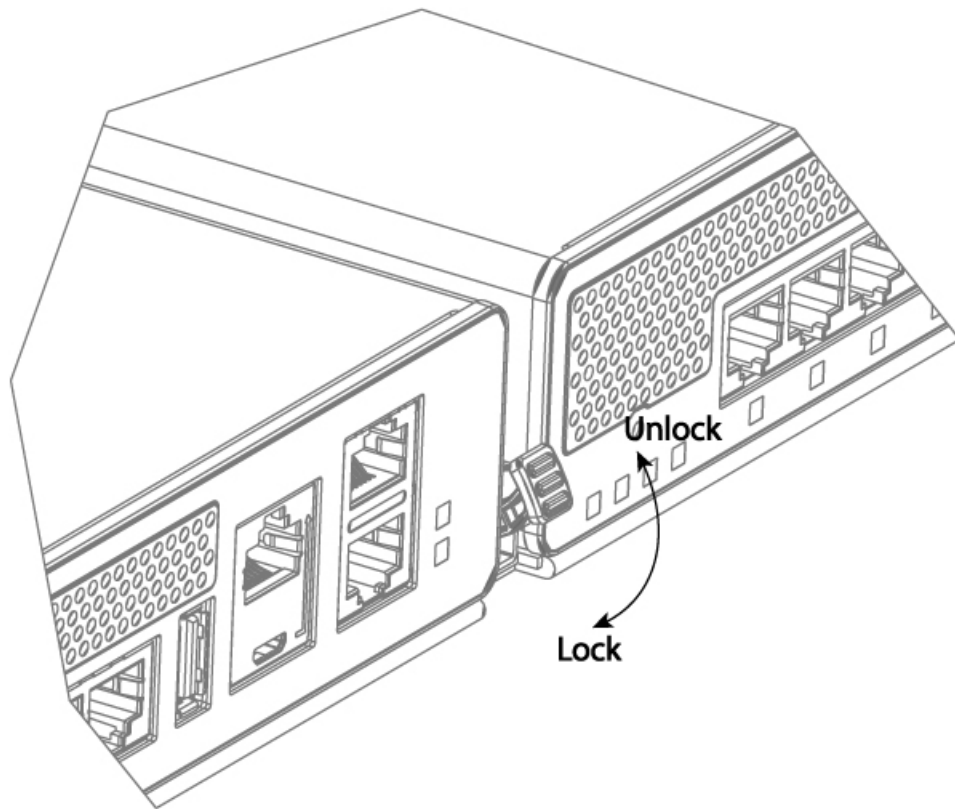
- Step 1** Remove the four rubber feet if previously installed.
- Step 2** Slide the Cisco Catalyst 9800-L Wireless Controller in position such that the 4-tray tabs align and latch into the bottom of the unit as it is pushed in place. The front of the Cisco Catalyst 9800-L Wireless Controller should be flush against the front edge of the tray. A nylon latch in the center of the tray snaps into and locks the Cisco Catalyst 9800-L Wireless Controller in place.

Figure 4: Placing the Controller on the Rack Mount Tray



356183

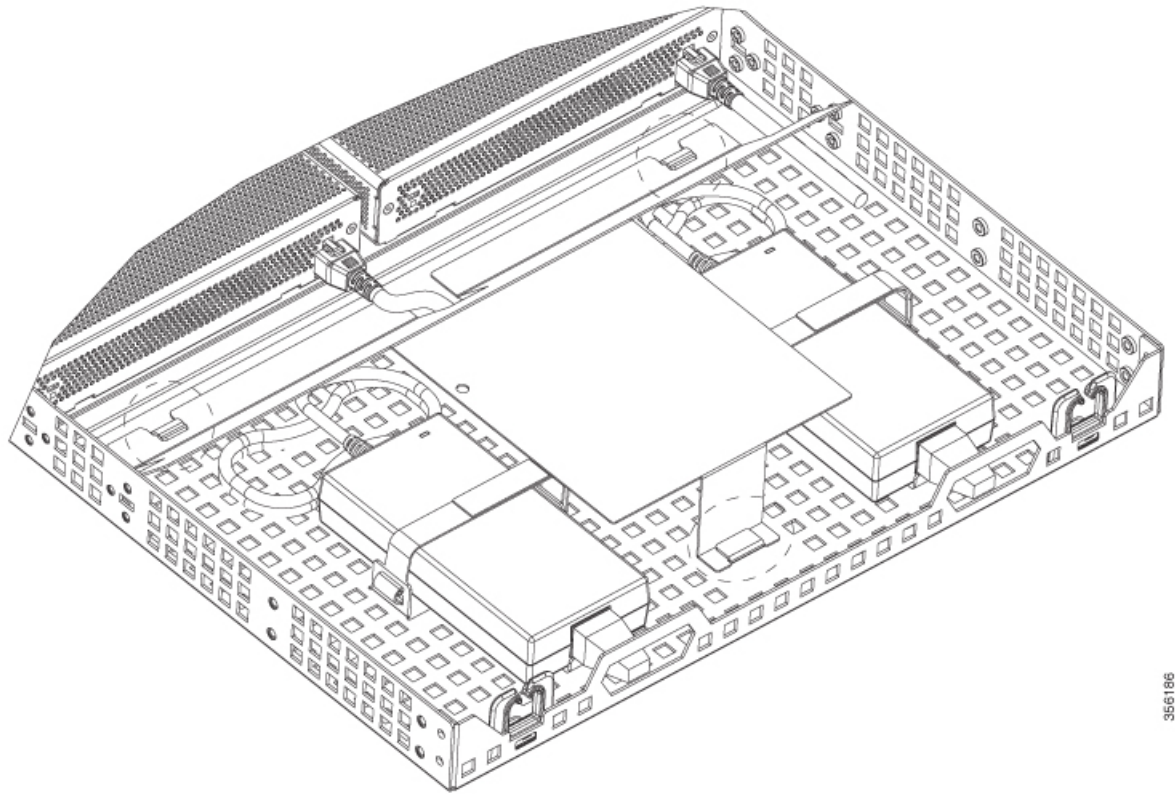
Figure 5: Close-up View of Center Latch Securing Controllers in a Rack



356185

Step 3 Remove power supply baffle in rear tray. Baffles secure with tabs circled.

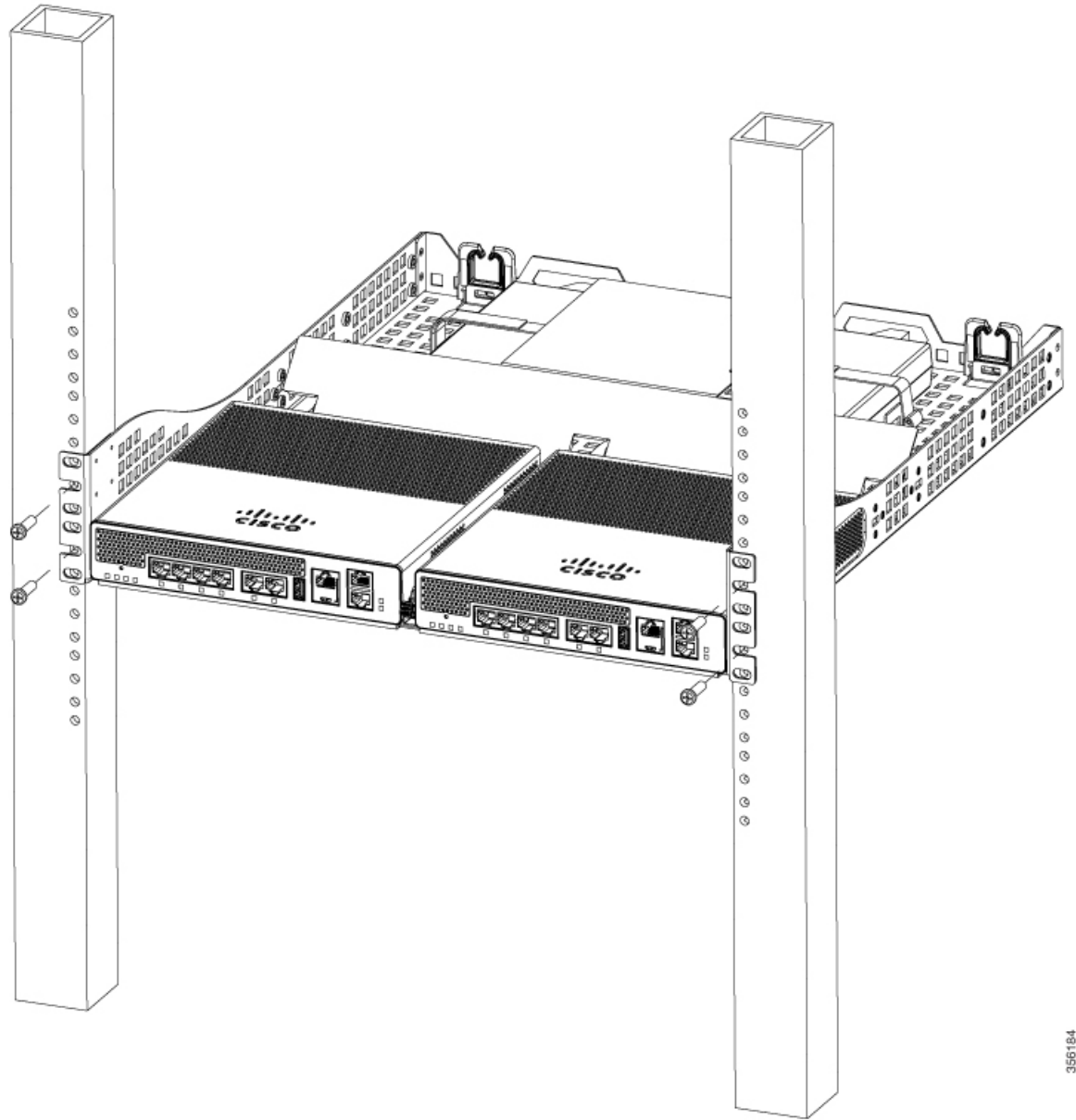
Figure 6: Power Supply Baffle



356186

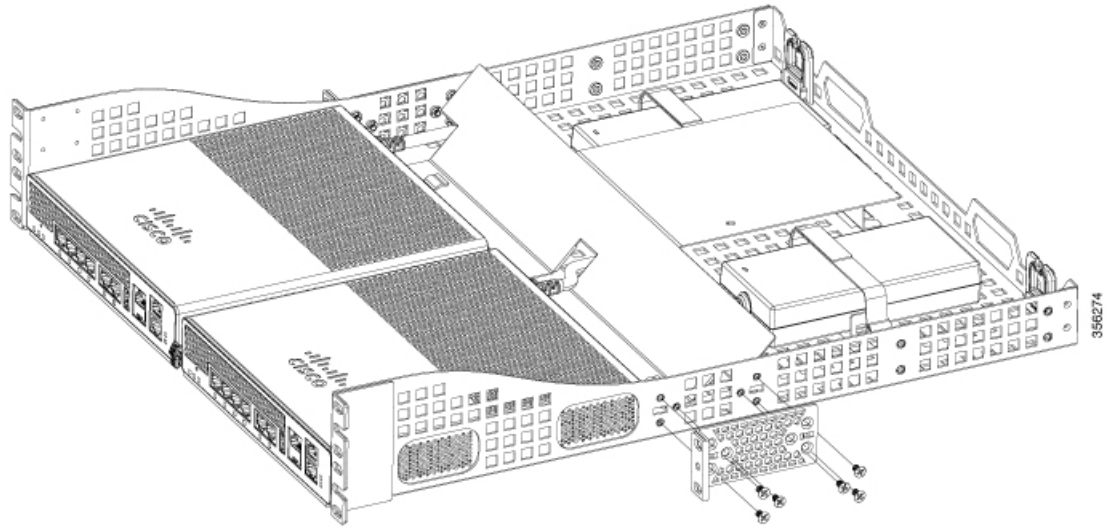
- Step 4** Place the power adapters between either of the two tabs in the rear of the tray and use the provided velcro straps to secure them.
- Step 5** Route the AC wiring through the cable management clips.
- Step 6** Re-install and secure tabs on power supply baffle, coil extra cables, and locate them under the baffle.
- Note** This is an hot air baffle.
- Step 7** Attach the rack mount tray to the rack using the supplied screws and brackets, as shown in figures below:

Figure 7: Attaching the Rack Mount Tray to a Front Post Rack



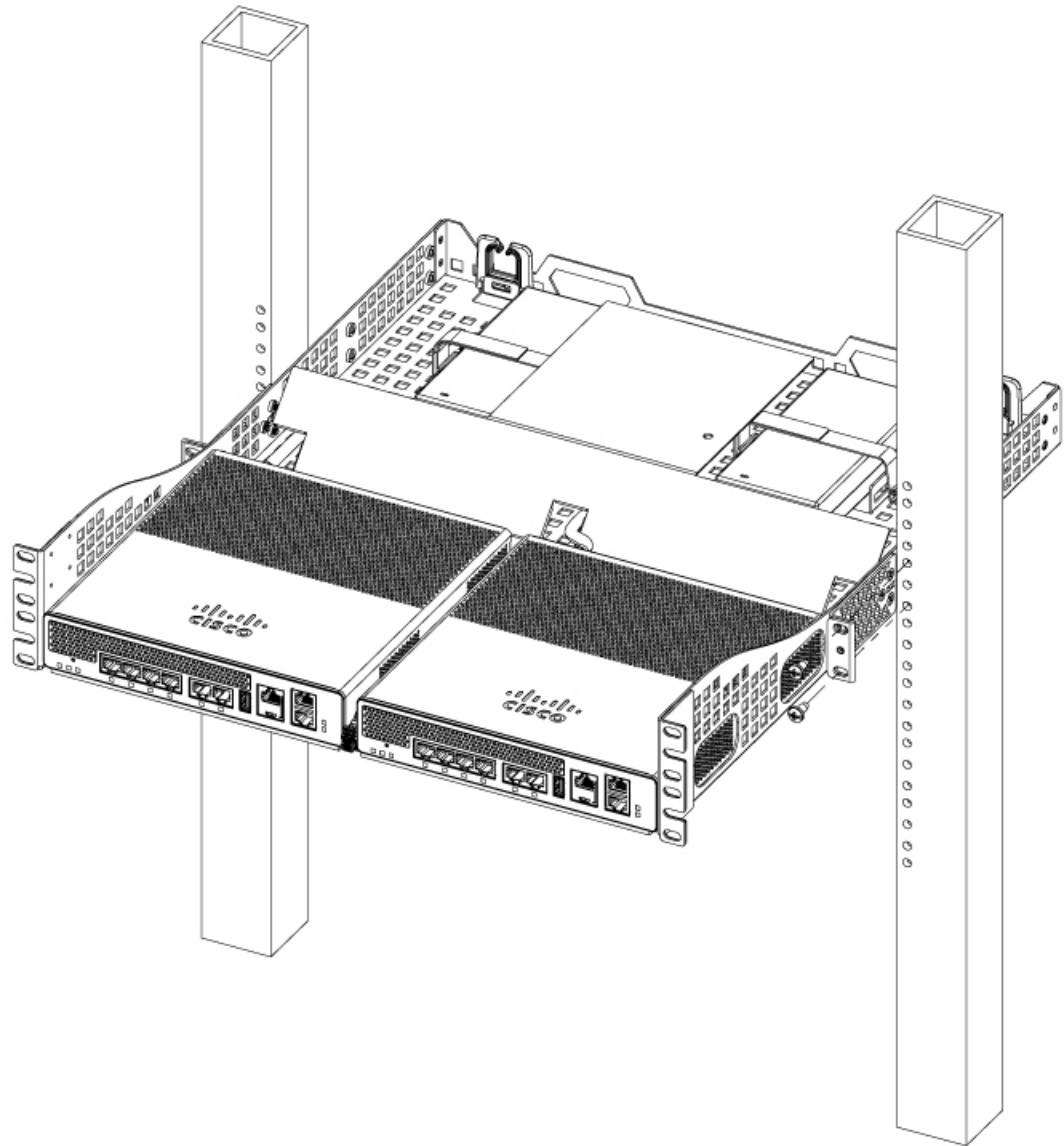
356164

Figure 8: Installing the Rack Mount Tray to a Center Post Rack



Note Install the center mount brackets to both sides of the tray.

Figure 9: Installing the Rack Mount Tray to a Center Post Rack



To remove the chassis from the rack, remove the screws that attach the chassis to the rack, and then remove the chassis.

Step 8 (optional): If required install the rear rack mount bracket for additional stability on four-post racks.

Include optional orderable rear rack mount adapter kit: C4948E-BKT-KIT= C49xxE front and rear mount brackets.

Connecting the Controller Console Port



Note Install the USB device driver before establishing a physical connection between the router and the PC using the USB Console cable plugged into the USB serial port, otherwise the connection will fail.

Procedure

- Step 1** Perform either one of the following tasks:
- Connect the end of the console cable with the RJ-45 connector to the console port on the controller.
 - Connect a Micro USB Type-B cable to the Micro USB console port. If you are using the USB serial port for the first time on a Windows-based computer, ensure that you have installed the USB driver.
- Note** It is not possible to use both the Micro USB console port and the CPU console port concurrently. If both the ports are connected, the USB port takes precedence over the CPU console port.
- Step 2** If you are using a standard Cisco DB-9 console cable, connect the end of the cable with the DB-9 connector (or USB Type-A) to the terminal or PC. If your terminal or PC has a console port that does not accommodate a DB-9 connector, you must provide an appropriate adapter for that port.
- Step 3** To communicate with the controller, start a terminal emulator application. This software should be configured with the following parameters:
- 9600 baud
 - 8 data bits
 - No parity
 - No flow control
 - 1 stop bit
-

Management Ethernet Port Cable Connection

Before you begin



Caution To comply with Class A emission requirements, a shielded Ethernet cable must be used for the connection

Procedure

- Step 1** Insert an Ethernet RJ-45 cable into the MGMT port.
- Step 2** Insert the other end of the RJ-45 cable to your management device or network.
-

Installing a Security Lock

The controller has a security slot on the back panel. You can install an optional customer-supplied Kensington lock, such as the type that is used to secure a laptop computer, to secure the controller. See the "Cisco Catalyst 9800-L Wireless Controller Rear Panel" section for the location of the security lock.

